


PRODUCT SHEET

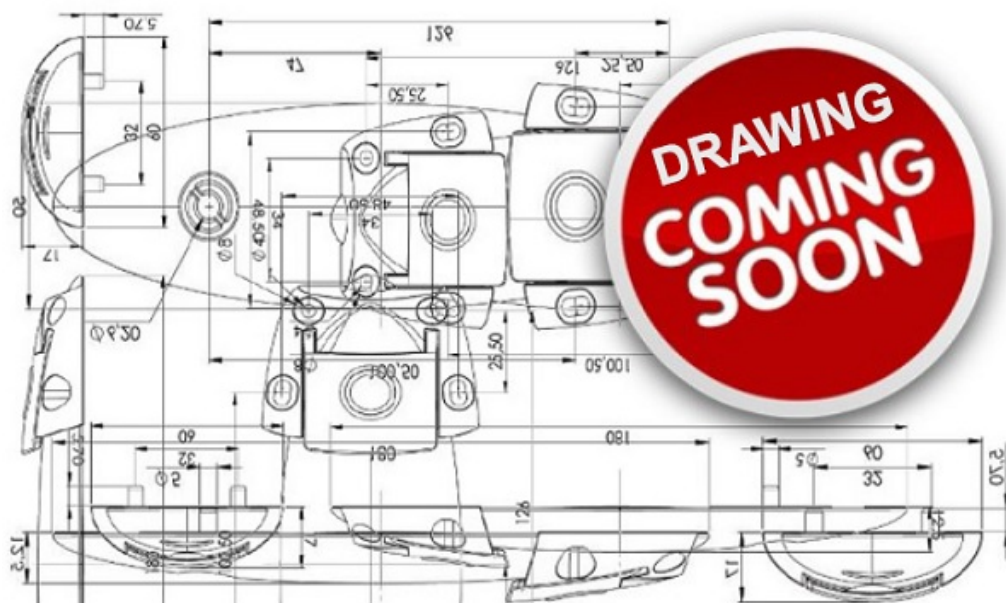
Description:

Chair Nail, Domed Head, #670, Brass Laquered

Item number:

29.02.360-0

Units	Box	Carton	HS Code	Barcode
Pcs.	1000	5000	7415290000	 5704866096195



SISO A/S
Mileparken 11
DK-2740 Skovlunde
Denmark
VAT: DK 24786013

Phone +45 45 830 900
www.siso.dk
siso@siso.dk

Danske Bank
Nytorv Branch
Copenhagen
SWIFT: DABADKKK

Account no.
4180 3112 112936
IBAN Account
DK7230003112112936